

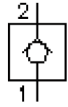
check valve, screw-in type (blocked from 1 to 2)

CVRP-10.-0-...

CC-160-101-00

(subject to change)

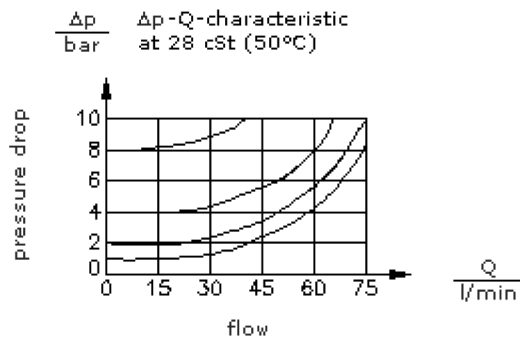
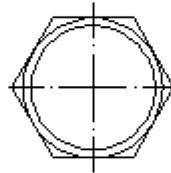
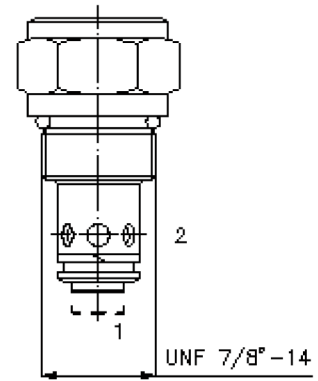
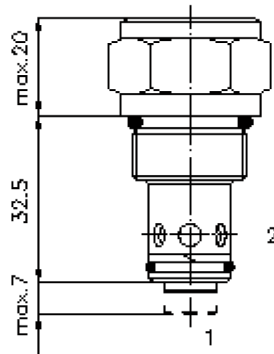
BUCHER
hydraulics



HEX 27mm
(torque
cartridge:
48 - 54 Nm)

cavity:
C-10-2
see
data-sheet no.:
[IK-100-109-00](#)

Attention:
Please see note at
data-sheet no.:
[IK-100-109-00](#) !



check valve, screw-in type (blocked from 1 to 2)

CVRP-10.-0-...

CC-160-101-00

(subject to change)

BUCHER
hydraulics

Ordering example:

CVRP - 10N - 0 - 030
| | | |
A **B** **C** **D**

Model code:

A design check valve (free flow 2 -> 1) poppet type valve	D crack pressure 005 = 0.3 bar 015 = 1.0 bar 030 = 2.1 bar 060 = 4.1 bar 090 = 6.2 bar 120 = 8.3 bar 150 = 10.3 bar 180 = 12.4 bar 210 = 14.5 bar
B size and sealing 10N = Buna (NBR) 10V = Viton (FPM)	
C construction 0 = screw-in valve	

Technical Data:

nominal pressure:	350 bar
nominal flow:	70 l/min
weight:	0.12 kg
temperature range:	-40°C to 120°C
fluids:	hydraulic oil as per DIN 51524 T1 (ISO TC 131)
max. leakage:	5 drops/min at 22 cSt (50°C) and 350 bar
seals:	optional Buna (NBR) or Viton (FPM), as well as Teflon wascher (PTFE)
cavity:	C-10-2 see datasheet no. IK-100-109-00
housing:	2LH-10.-B.. see datasheet no. IH-100-000-00
seal kit:	SP-CDS-10N-21 (NBR), SP-CDS-10V-21 (FPM)