

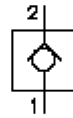
check valve, screw-in type (blocked from 1 to 2)

CVRP-08.-0-...

CC-160-081-00

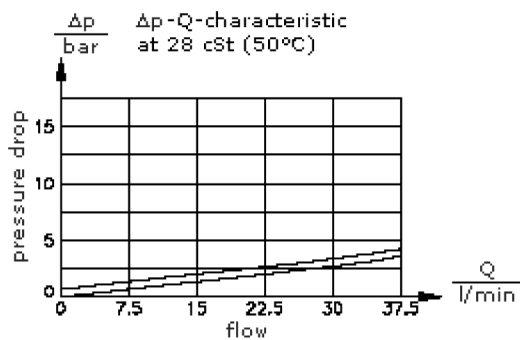
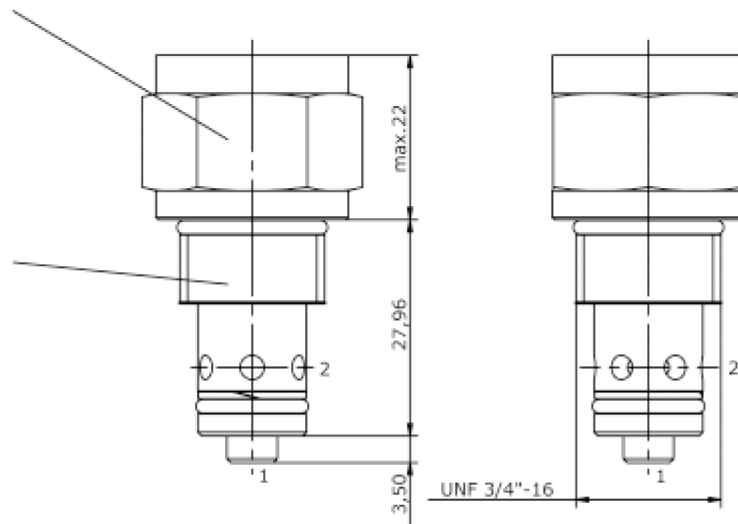
(subject to change)

BUCHER
hydraulics



HEX 1"
(torque
cartridge:
48 - 54 Nm)

cavity:
C-08-2
see
data-sheet no.:
[IK-100-089-00](#)



check valve, screw-in type (blocked from 1 to 2)

CVRP-08.-0-...

CC-160-081-00

(subject to change)

BUCHER
hydraulics

Ordering example:

CVRP - 08N - 0 - 015
| | | |
A **B** **C** **D**

Model code:

- | | |
|--|---|
| A design
check valve
(free flow 2 -> 1)
poppet type valve | D crack pressure
005 = 0.3 bar
015 = 1.0 bar
030 = 2.1 bar
060 = 4.1 bar
120 = 8.3 bar |
| B size and sealing
08N = Buna (NBR)
08V = Viton (FPM) | |
| C construction
0 = screw-in valve | |

Technical Data:

nominal pressure:	350 bar
nominal flow:	38 l/min
weight:	0.12 kg
temperature range:	-40°C to 120°C
fluids:	hydraulic oil as per DIN 51524 T1 (ISO TC 131)
max. leakage:	5 drops/min at 22 cSt (50°C) and 350 bar
seals:	optional Buna (NBR) or Viton (FPM), as well as Teflon wascher (PTFE)
cavity:	C-08-2 see datasheet no. IK-100-089-00
housing:	2LH-08.-B.. see datasheet no.: IH-100-000-00
seal kit:	SP-CDS-08N-21 (NBR), SP-CDS-08V-21 (FPM)