

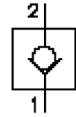
# check valve, screw-in type (blocked from 2 to 1)

CVFP-12.-0-...

CC-110-121-00

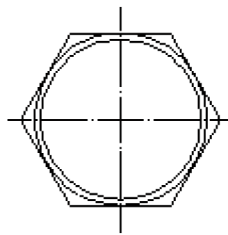
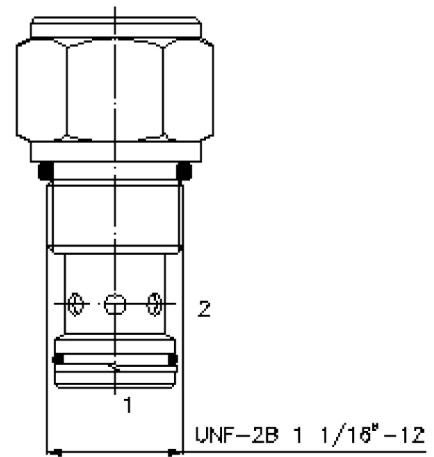
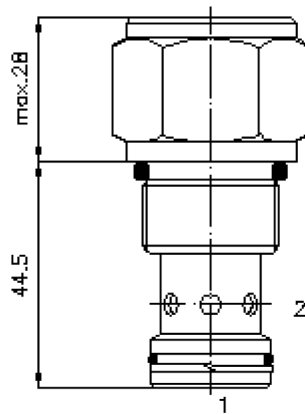
(subject to change)

**BUCHER**  
hydraulics

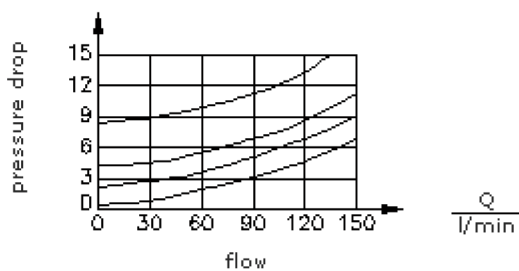


HEX 1 5/16"  
(torque  
cartridge:  
95 - 100 Nm)

cavity:  
C-12-2  
see  
data-sheet no.:  
[IK-100-129-00](#)



$\frac{\Delta p}{\text{bar}}$   $\Delta p$ -Q-characteristic  
at 28 cSt (50°C)



# check valve, screw-in type (blocked from 2 to 1)

CVFP-12.-0-...

CC-110-121-00

(subject to change)

**BUCHER**  
hydraulics

## Ordering example:

CVFP - 12N - 0 - 030  
|        |        |        |  
**A**    **B**    **C**    **D**

## Model code:

- |  |   |
|--|---|
| <b>A</b> <b>design</b><br>check valve<br>(free flow 1 -> 2)<br>poppet type valve | <b>D</b> <b>crack pressure</b><br>005 = 0.3 bar<br>015 = 1.0 bar<br>030 = 2.1 bar<br>060 = 4.1 bar<br>120 = 8.3 bar<br>240 = 16.5 bar |
| <b>B</b> <b>size and sealing</b><br>12N = Buna (NBR)<br>12V = Viton (FPM)        |   |
| <b>C</b> <b>construction</b><br>0 = screw-in valve                               |   |

## Technical Data:

<b>nominal pressure:</b>	350 bar
<b>nominal flow:</b>	136 l/min
<b>weight:</b>	0.22 kg
<b>temperature range:</b>	-40°C to 120°C
<b>fluids:</b>	hydraulic oil as per DIN 51524 T1 (ISO TC 131)
<b>max. leakage:</b>	5 drops/min at 22 cSt (50°C) and 350 bar
<b>seals:</b>	optional Buna (NBR) or Viton (FPM), as well as Teflon wascher (PTFE)
<b>cavity:</b>	C-12-2 see datasheet no. <a href="#">IK-100-129-00</a>
<b>housing:</b>	2LH-12.-B.. see datasheet no. <a href="#">IH-100-000-00</a>
<b>seal kit:</b>	SP-CDS-12N-21 (NBR), SP-CDS-12V-21 (FPM)