

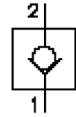
check valve, screw-in type (blocked from 2 to 1)

CVFP-10.-0-...

CC-110-101-00

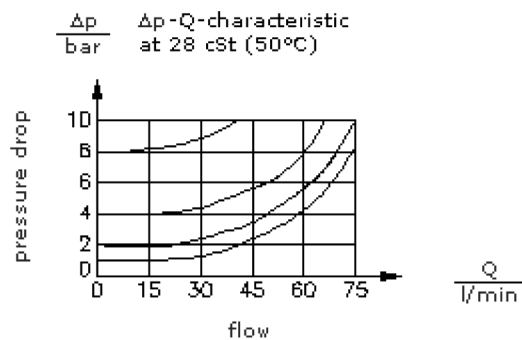
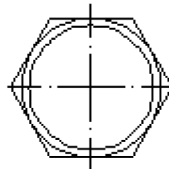
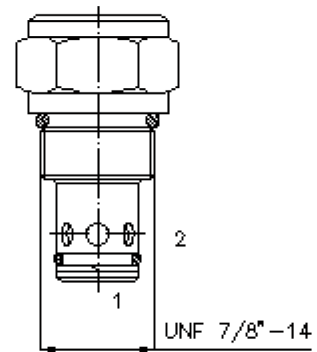
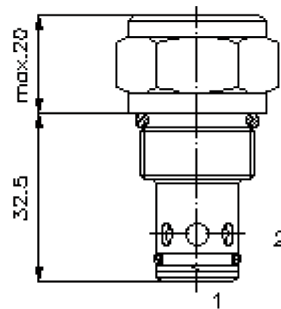
(subject to change)

BUCHER
hydraulics



HEX 27mm
(torque
cartridge:
48 - 54 Nm)

cavity:
C-10-2
see
data-sheet no.:
IK-100-109-00



check valve, screw-in type (blocked from 2 to 1)

CVFP-10.-0-...



Motrac Hydraulik GmbH
Siemensring 87 - D-47877 Willich
fon +49-(0)2154-8162.0 - fax +49-(0)2154-8162.499
e-mail info.miw@motracindustries.com
internet www.motracindustries.com

CC-110-101-00

(subject to change)

BUCHER
hydraulics

Ordering example:

CVFP - 10N - 0 - 030
| | | |
A **B** **C** **D**

Model code:

- | | |
|--|--|
| A design
check valve
(free flow 1 -> 2)
poppet type valve | D crack pressure
005 = 0.3 bar
015 = 1.0 bar
030 = 2.1 bar
060 = 4.1 bar
090 = 6.2 bar
120 = 8.3 bar
150 = 10.3 bar
180 = 12.4 bar
210 = 14.5 bar |
| B size and sealing
10N = Buna (NBR)
10V = Viton (FPM) | |
| C construction
0 = screw-in valve | |

Technical Data:

nominal pressure:	350 bar
nominal flow:	70 l/min
weight:	0.12 kg
temperature range:	-40°C to 120°C
fluids:	hydraulic oil as per DIN 51524 T1 (ISO TC 131)
max. leakage:	5 drops/min at 22 cSt (50°C) and 350 bar
seals:	optional Buna (NBR) or Viton (FPM), as well as Teflon wascher (PTFE)
cavity:	C-10-2 see datasheet no. IK-100-109-00
housing:	2LH-10.-B.. see datasheet no. IH-100-000-00
seal kit:	SP-CDS-10N-21 (NBR), SP-CDS-10V-21 (FPM)