

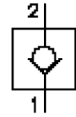
# check valve, screw-in type (blocked from 2 to 1)

CVFP-08.-0-...

CC-110-081-00

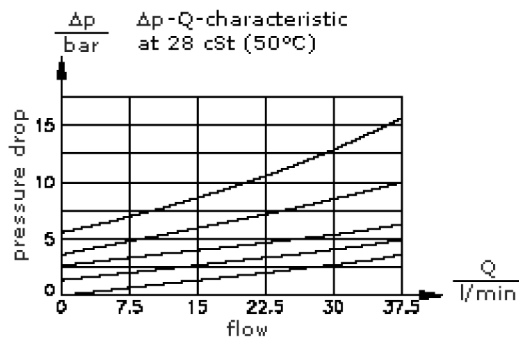
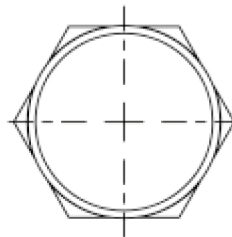
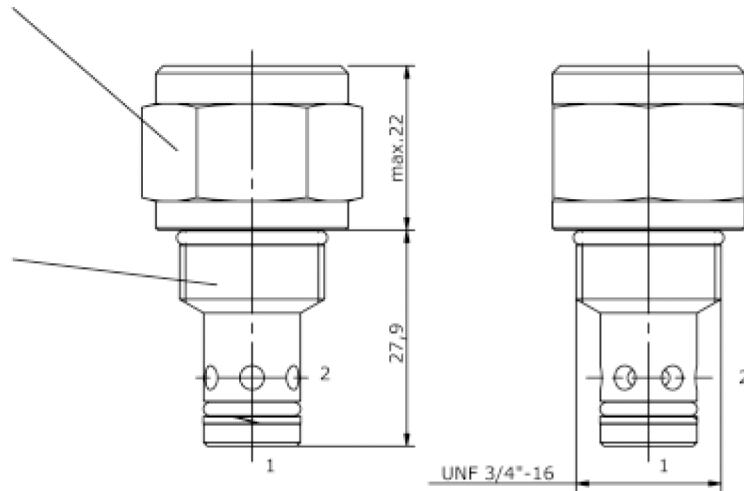
(subject to change)

**BUCHER**  
hydraulics



HEX 1"  
(torque  
cartridge:  
48 - 54 Nm)

cavity:  
C-08-2  
see  
data-sheet no.:  
IK-100-089-00



# check valve, screw-in type (blocked from 2 to 1)

CVFP-08.-0-...



Motrac Hydraulik GmbH  
Siemensring 87 - D-47877 Willich  
fon +49-(0)2154-8162.0 - fax +49-(0)2154-8162.499  
e-mail info.miw@motracindustries.com  
internet www.motracindustries.com

CC-110-081-00

(subject to change)

**BUCHER**  
hydraulics

## Ordering example:

CVFP - 08N - 0 - 015  
|        |        |        |  
**A**    **B**    **C**    **D**

## Model code:

- |  |   |
|--|---|
| <b>A</b> <b>design</b><br>check valve<br>(free flow 1 -> 2)<br>poppet type valve | <b>D</b> <b>crack pressure</b><br>005 = 0.3 bar<br>015 = 1.0 bar<br>030 = 2.1 bar<br>060 = 4.1 bar<br>120 = 8.3 bar |
| <b>B</b> <b>size and sealing</b><br>08N = Buna (NBR)<br>08V = Viton (FPM)        |   |
| <b>C</b> <b>construction</b><br>0 = screw-in valve                               |   |

## Technical Data:

<b>nominal pressure:</b>	350 bar
<b>nominal flow:</b>	38 l/min
<b>weight:</b>	0.12 kg
<b>temperature range:</b>	-40°C to 120°C
<b>fluids:</b>	hydraulic oil as per DIN 51524 T1 (ISO TC 131)
<b>max. leakage:</b>	5 drops/min at 22 cSt (50°C) and 350 bar
<b>seals:</b>	optional Buna (NBR) or Viton (FPM), as well as Teflon wascher (PTFE)
<b>cavity:</b>	C-08-2 see datasheet no.: <a href="#">IK-100-089-00</a>
<b>housing:</b>	2LH-08.-B.. see datasheet no.: <a href="#">IH-100-000-00</a>
<b>seal kit:</b>	SP-CDS-08N-21 (NBR), SP-CDS-08V-21 (FPM)